

Constant Voltage LED Dimmer User Manual



CE FC RoHS
(Please read through this manual carefully before use)

1. Brief Introduction

An intelligent dimmer specially designed for LED lighting, it adopted the most advanced PWM (pulse-width-modulation) digital brightness-adjusting technology that enables you adjust the brightness with the infinite knob and also can adjust the brightness far away with the RF wireless controller. It is suitable for installation of commercial and household 86-style socket, you can install it visibly outside the wall or invisibly inside the wall, it can meet different brightness requirements at different time with the dimmer, also it can extend the LED life tenure and save energy, suitable to dim hi-power or low-power LED lamps.

2. Specifications

Mode	Constant voltage 6A
Input power	DC12V-DC48V
Output signal	Constant voltage PWM
Max load current	6A
Output power	72W/144W/216W/288W(12V/24V//36V/48V)
Dimming range	0~100%
Grey step	4096 levels
Switch size	L87×W87(mm)
Package size	L96×W91×H61(mm)
Gross weight	200g

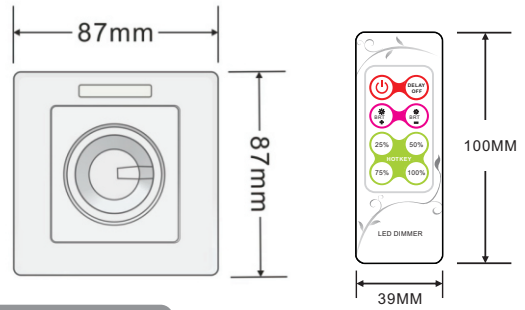
3. Basic Features

1. Standard 86-style socket, easy to install.
2. Infinite knob style dimming and wireless RF remote dimming, easy to operate.
3. Real 0~100% brightness adjust, 4096 scale levels. Comfort to human eye visual characteristic. Lamplight soft and stable, without flickers, welcome to compare.
4. welcome to compare;
5. Delay OFF button, fluorescent indicator, users friendly. 25%, 50%, 75%, 100%, 4 brightness shortcuts.
6. Automatically adapt to DC12~48V working voltage.
7. Can be equipped with power repeater to expand power.
8. Power loss memory function.

4. Safety warnings

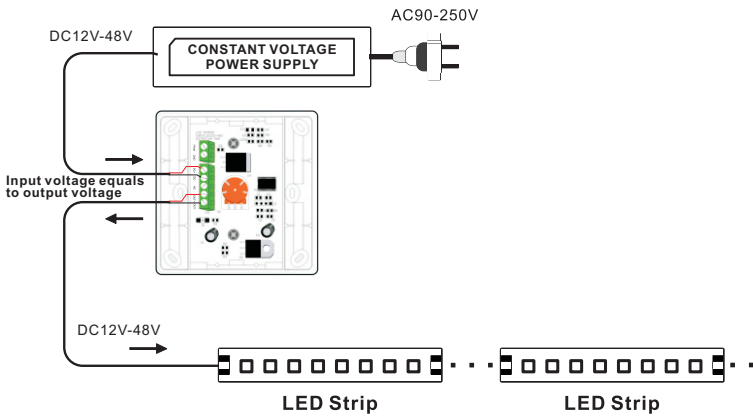
- Please don't install this controller in lightning, intense magnetic and high-voltage fields.
1. To reduce the risk of component damage and fire caused by short circuit, make sure correct connection.
 2. Always be sure to mount this unit in an area that will allow proper ventilation to ensure a fitting temperature.
 3. Check if the voltage and power adapter suit the controller.
 4. Don't connect cables with power on; make sure a correct connection and no short circuit checked with instrument before power on.
 5. Please don't open controller cover and operate if problems occur.
- The manual is only suitable for this model; any update is subject to change without prior notice.

5. Dimensions

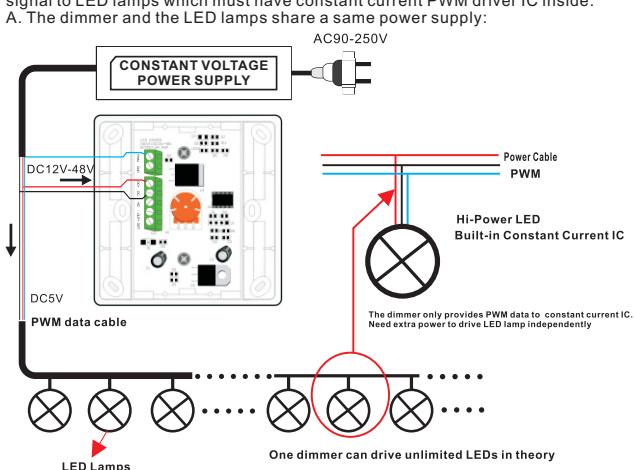


6. Conjunction Diagram

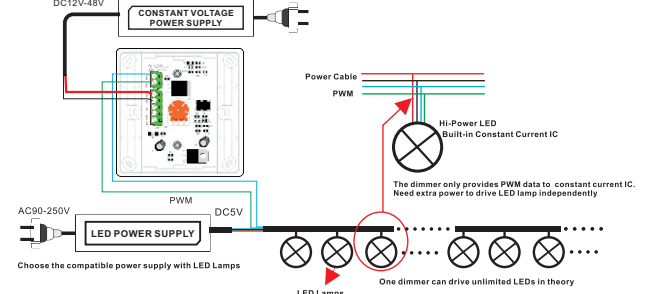
1) Connecting to LED strip:



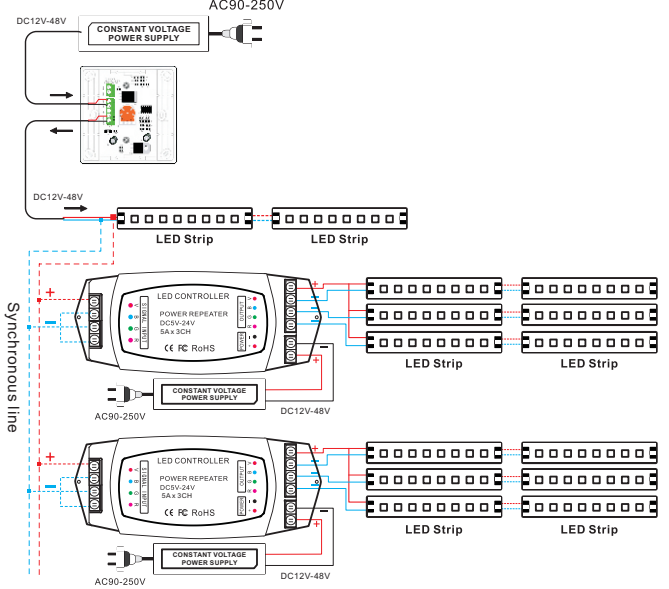
2. Connecting to hi-power LED lamps, the green terminal of dimmer outputs 5V PWM signal to LED lamps which must have constant current PWM driver IC inside.



B. The dimmer and the LED lamps driven by different power suppliers:



3. Connecting to power amplifier (the dimmer and the amplifier can share the same power supply):



4. The detailed definition of the button

Sign	Button	Description
	ON/OFF	ON/OFF: Turn on/off the controller. Any button can start the controller at off status
	DELAY OFF	Press this key, it will wait 30 seconds before turning off the light automatically
	BRT+ BRT-	These two buttons can increase or decrease the brightness, total 256 levels of brightness, continually pressing it, you can continually change the brightness
	HOTKEY	Press these four keys can select different brightness you want directly & immediately.

7. After-Sales

From the day you purchase our products within 3 years, if being used properly in accordance with the instruction, and quality problems occur, we provide free repair or replacement services except the following cases:

1. Any defects caused by wrong operations.
2. Any damages caused by inappropriate power supply or abnormal voltage.
3. Any damages caused by unauthorized removal, maintenance, modifying circuit, incorrect connections and replacing chips.
4. Any damages due to transportation, breaking, flooded water after the purchase.
5. Any damages caused by earthquake, fire, flood, lightning strike etc force majeure of natural disasters.
6. Any damages caused by negligence, inappropriate storing at high temperature and humidity environment or near harmful chemicals.
7. Product has been updated.

8. Kindly Reminder

1. Power Source Selection
Power source must be DC constant voltage type of power supply. Due to the efficient output in some power supplies are only 80% of total, so please select at least 20% higher output power supply than the consumption of LED lights.